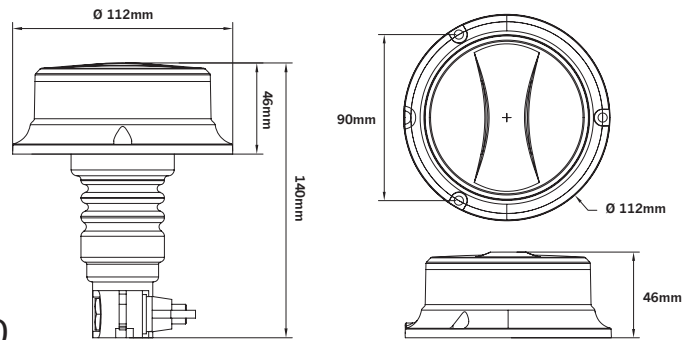


SLIM
E-APPROVED



WARNING LIGHT LED / E-APPROVED



SURFACE MOUNTING

Voltage	9-30V DC
Watt	17
Patterns	7
IP-class	IP67
Color lens	Clear
Color LED	Amber
Height	46mm
Diameter	112mm
CC	90mm
E-approved	ECE R65
EMC-certificate	ECE R10

Part No. 809094

POLE MOUNTING

Voltage	9-30V DC
Watt	17
Patterns	7
IP-class	IP67
Color lens	Clear
Color LED	Amber
Height	140mm
Diameter	112mm
E-approved	ECE R65
EMC-certificate	ECE R10

Part No. 809095

MAGNET / CIGG PLUG

Voltage	9-30V DC
Watt	17
Patterns	7
IP-class	IP67
Color lens	Clear
Color LED	Amber
Height	46mm
Diameter	112mm
CC	90mm
E-approved	ECE R65
EMC-certificate	ECE R10

Part No. 809096