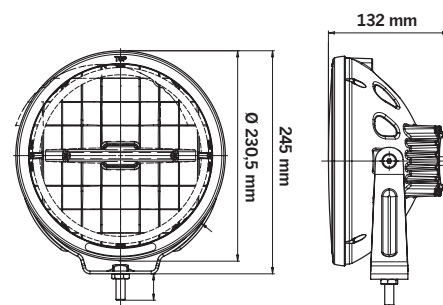




DUO POSITION LIGHT
AMBER / WHITE



AMBASSADOR DRIVING LIGHT 9" LED



Voltage	10-32V DC
Consumption	70W
Theoretical lumen	5535
Actual lumen	4040
1 lux @	1007m
IP-class	IP68
Beam pattern	Spot
Position light	Yes, white and amber
Connection	Cable

Cable length	3000mm
Material housing	Aluminium
Material lens	Polycarbonate
Diameter	230,5mm
Depth	132mm
Height including bracket	245mm
Operating temperature	-40°C - +40°C
E-approved	-
EMC-certificate	ECE R10

